

RAPTOR BLASTER

MADE IN USA RAPTORBLASTER.COM



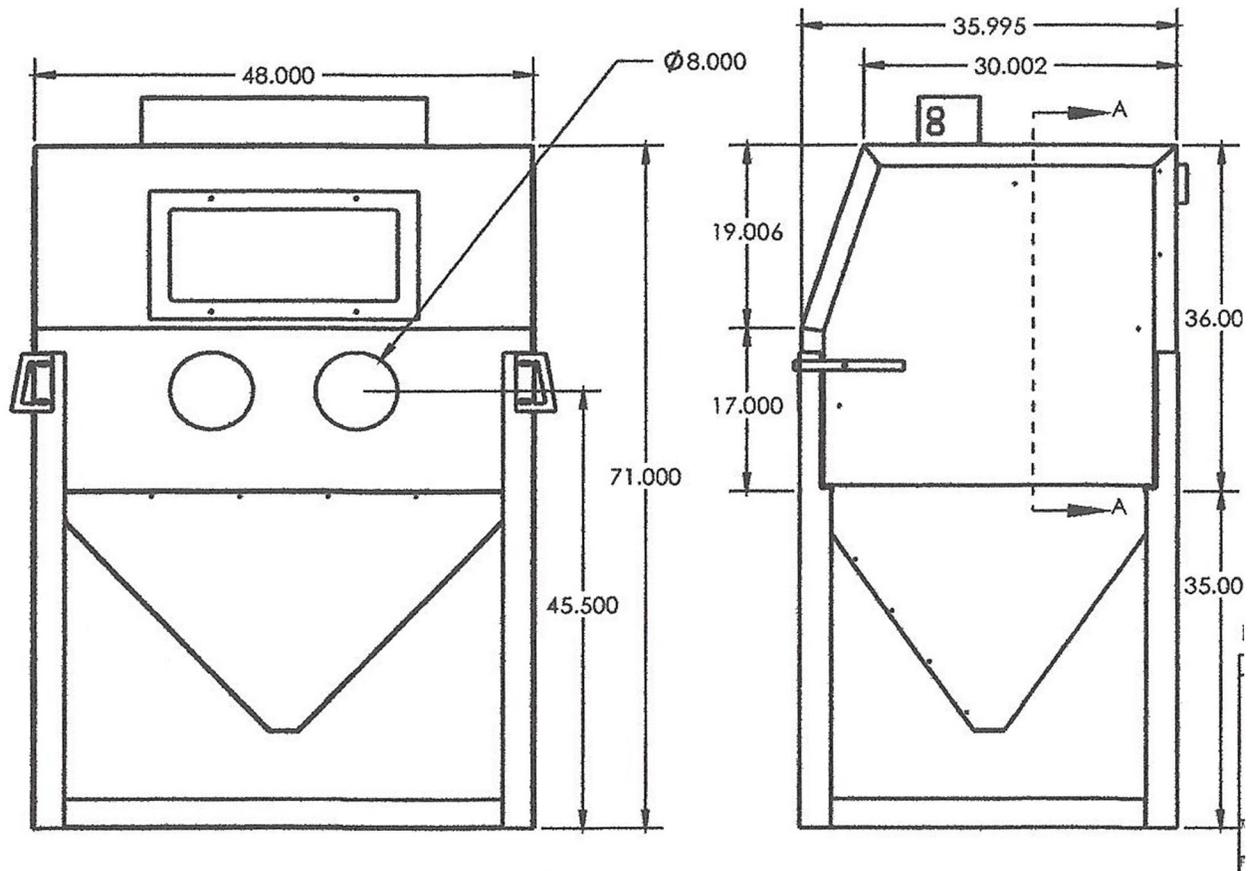
Blast Cabinet (RB4836)

The RB4836 is the ultimate cabinet for blasting medium to large sized objects. The high quality syphon system style gun is one of the most efficient guns on the market making the RB4836 second to none when it comes to performance. Visibility is maximized by utilizing 2 very bright 20 watt LED lamps in combination with the sturdy 100 cfm BP style dust collector. This combination keeps dust to a minimum which allows the operator a clear view of objects being blasted.





All Raptor Blaster Cabinets are laser cut and hand welded in the USA. No Seams - No Rivets All Blast Media will stay contained inside the cabinet during operation. For more information please visit... raptorblaster.com or call 916 409 2458



Dimensions

Height: 75 inches Width: 48 Inches Depth: 36 Inches

Door Openings

Side Doors: 30 x 30 inches

Weight: 400 lbs.